

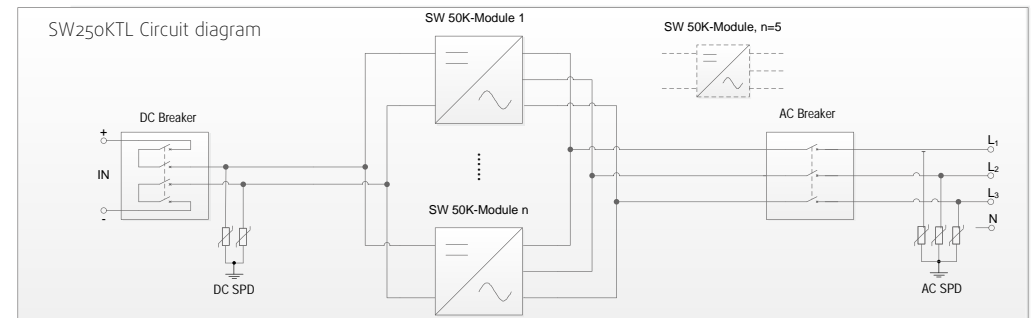
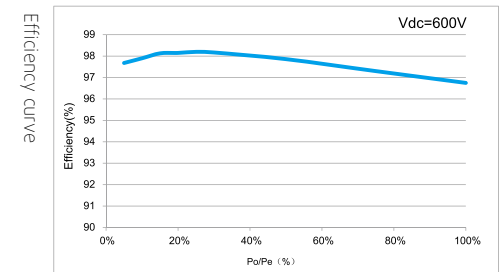
DC Input Data	GSL0100	GSL0250	SW250KTL
Max. Input Power(KW)	110	275	275
Max. Input Voltage(Vdc)	900		900/1000(Optional)
MPPT Operating Range(Vdc)	450-850		470-850
Rated Input Current(A)	240	600	585
MPPT Channel		1	
AC Output data			
Max. Output Power(W)	100	250	262.5
Rated Output Voltage(Vac)		270	290
AC Output Topology		3Ph-PE	3Ph-PE
Output Voltage Range		(1±15%)X Normal AC Voltage (adjustable ±5%, ±10%, ±15%)	
Grid Frequency		50/60 ±4.5	
Rated AC Output	214	535	500
Max. AC Output Current(A)	234	588	547
Power Factor(cosφ)	0.9		0.99
Total Harmonic Current Distortion(THDi)		< 3%	
System Features			
Max. Efficiency	97.50%	98.10%	98.30%
European Efficiency	97.30%	97.60%	97.40%
MTTP Efficiency	> 99%		>99.9%
Night time power consumption(W)	< 10		< 40
Cooling	Forced Air Cooling		Intelligent Air Cooling
Communication interface		RS485 Ethernet(Optional)	
Environmental			
Available ambient temperature	-40°C~+55°C		-20°C~+50°C
Humidity		0~95%, no condensation	
Altitude(m)		3000	
Noise Level(Db)	< 58	< 60	< 62
Protection level		IP20	
Physical			
Dimension (W x H x D)mm	835×1850×945	1200×1850×945	1000×2060×800
Weight(Kg)	470	815	400
Display	LCD Keyboard		TFT Touch Screen
Standards			
Safety	IEC/EN62109-1, IEC/EN62109-2, LVRT, etc		
EMC	IEC/EN621000-6-2, IEC/EN621000-6-4, etc		

Specifications



Central Grid Tied Solar Inverter

GSL0100
GSL0250
SW250KTL



- More than 25 years of life span
- Transformerless design and compact in size
- System with strong compatibility, easy to extend
- Good cooling system and safety design
- Reactive power adjustable
- Perfect protection functions
- Active power adjustable continuous full range (0-100%)
- Reactive power adjustable
- Unique Low Voltage Ride Through function, anti-islanding and output abnormal voltage protection secures its safe
- Redundancy control circuits designed in and over size metalized film capacitors are used to guarantee its safe operation and system reliability
- Advanced DSP control makes data more accurate

